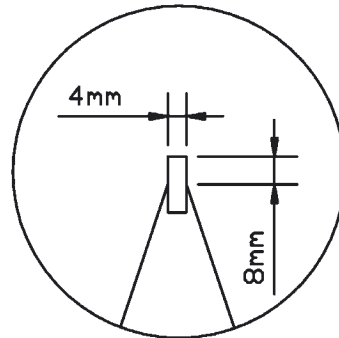
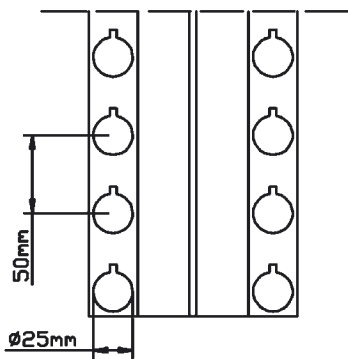
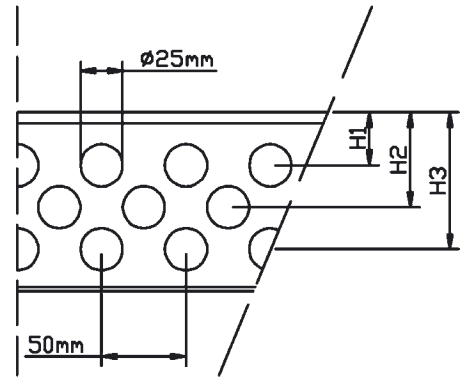
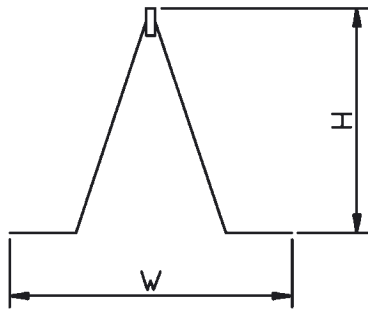


Technical Information

Combiform is available in 2,2m.
Tolerances: Length +/- 10mm, Height +/- 5mm

Product	Article nr	H (mm)	W (mm)	H1 (mm)	H2 (mm)	H3 (mm)	Weight (kg) / 2,2m Rail
C25	23C2522	25	80	---	---	---	1,8
C45	23C4522	45	90	30	---	---	2,0
C65	23C6522	65	105	28	47	---	2,3
C85	23C8522	85	115	31	49	67	2,8
C105	23C10522	105	130	32	53	88	3,5
C125	23C12522	125	135	32	64	109	4,2
C145	23C14522	145	160	32	75	127	5,0

Material: Rail - Coldrolled DC01, Top strip – Polyethylene



**Important! Combiform have no load bearing function.
Important to read manual before using Combiform.
All Combiform products are patented.**